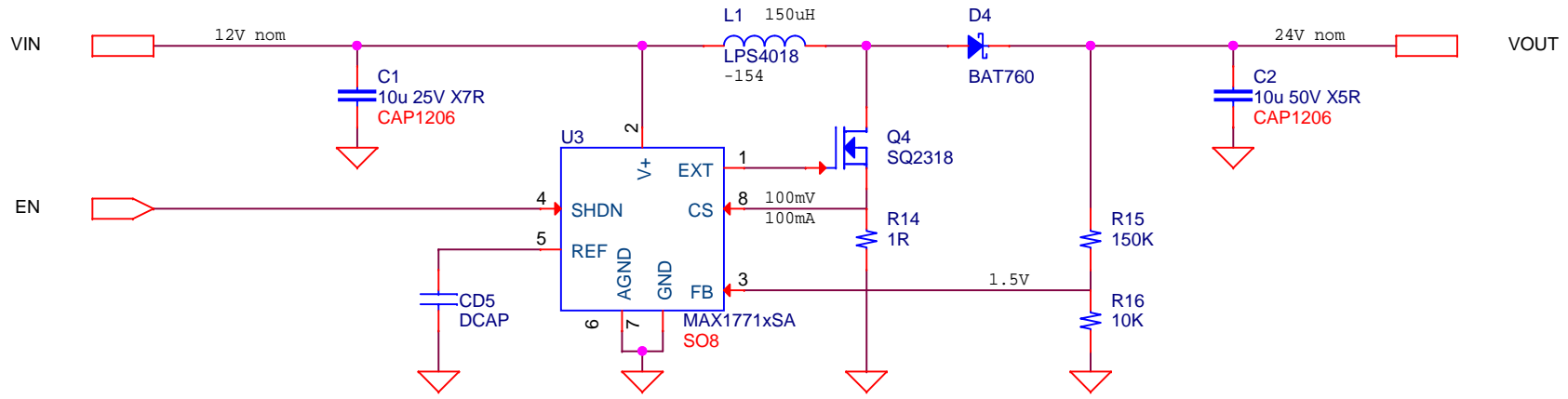
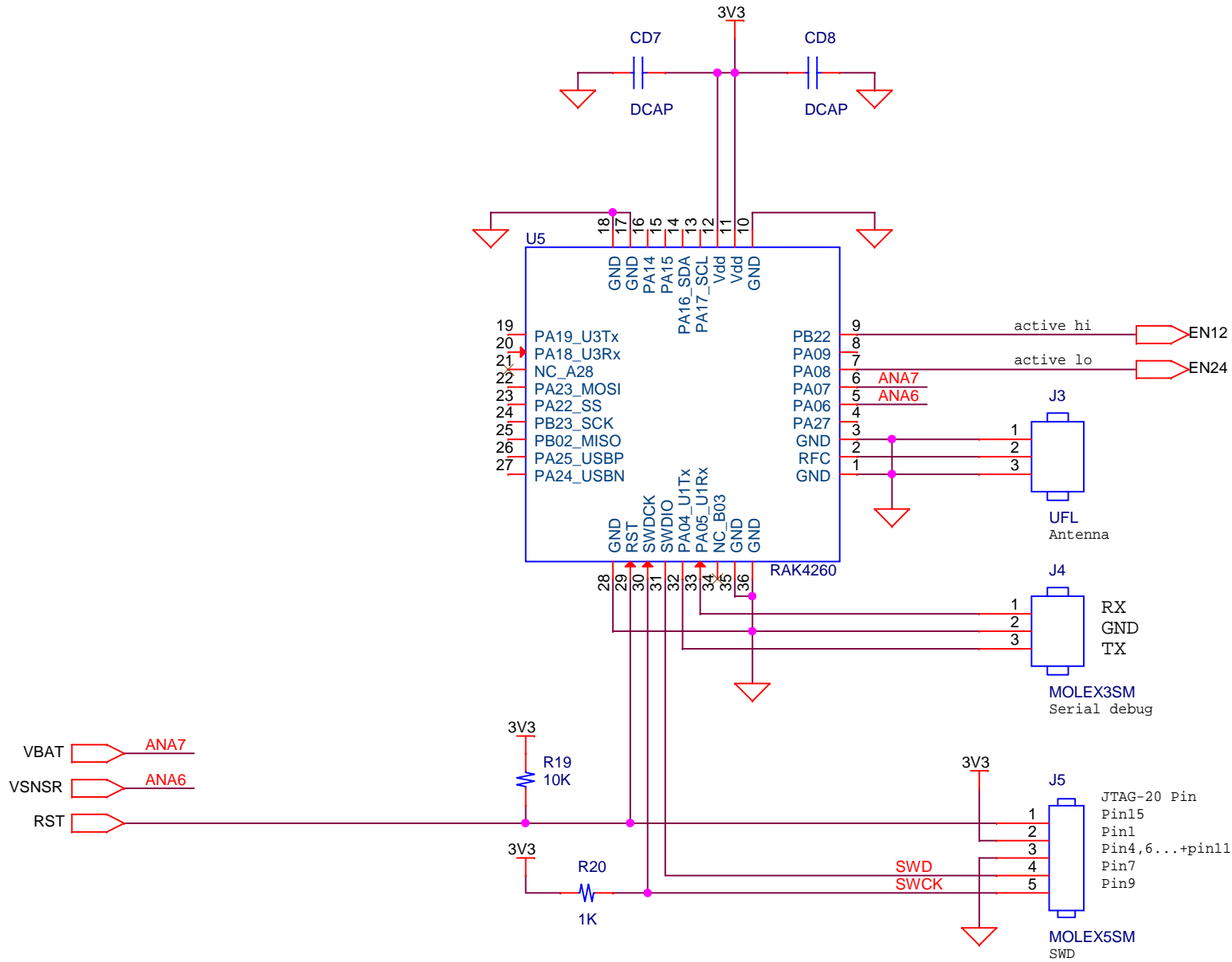


All passives 0603 unless otherwise specified		
UNUSED PART REFS: C3 CD4, 6 R17, 18 U4		
Title 4-20mA LoRa Node		
Size A	Document Number Node20mA_Main	Rev B
Date: Friday, April 10, 2020	Sheet 1	of 3



Title		
12V to 24V boost		
Size	Document Number	Rev
A	LoRa20mA_BOOST	B
Date:	Friday, April 10, 2020	Sheet 2 of 3



Title		
LoRa radio module		
Size	Document Number	Rev
A	LoRaNode20mA_LoRa	B
Date:	Friday, April 10, 2020	Sheet 3 of 3